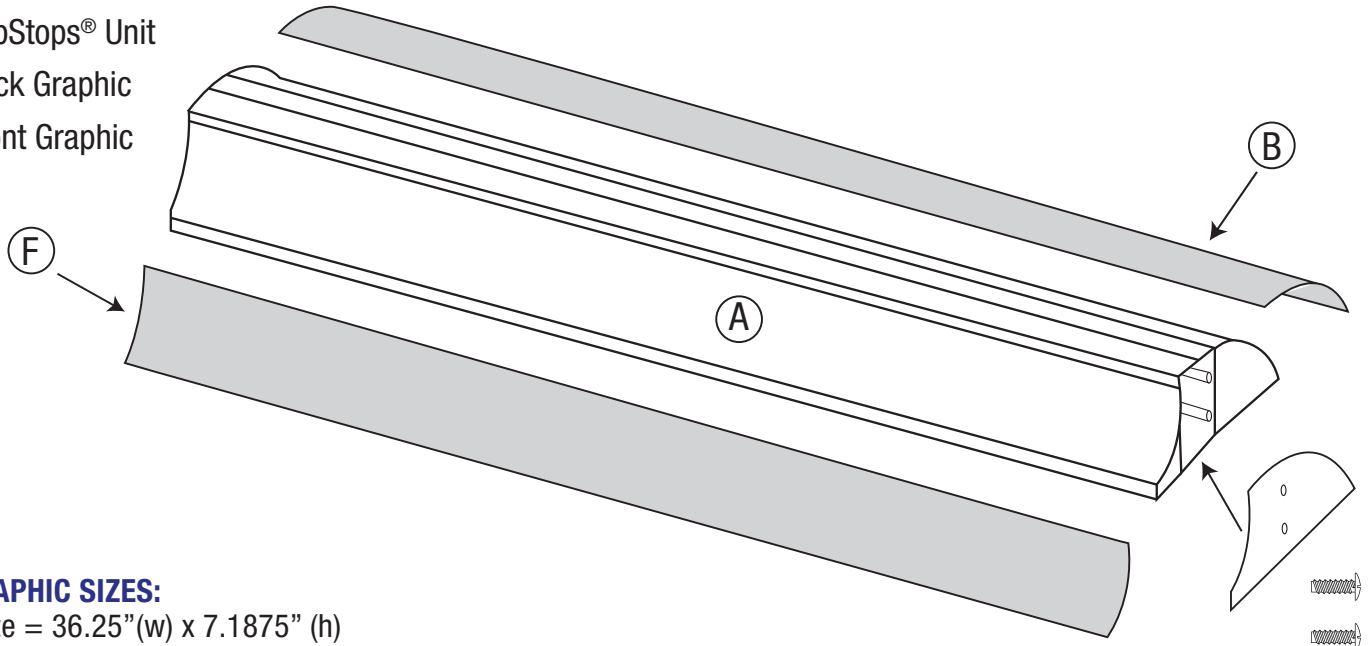


36" GRAPHIC SPECIFICATIONS



- (A) PopStops® Unit
- (B) Back Graphic
- (F) Front Graphic



BACK GRAPHIC SIZES:

Overall size = 36.25" (w) x 7.1875" (h)

Trim size = 36" (w) x 6.9375" (h)

Safe zone = 0.5"

Bleed size = 0.125"

FRONT GRAPHIC SIZES:

Overall size = 36.25" (w) x 3.6875" (h)

Trim size = 36" (w) x 3.4375" (h)

Safe zone = 0.5"

Bleed size = 0.125"

(B) Back Graphic

(F) Front Graphic

ART WORK SPECIFICATIONS

Accepted file types: .PDF (preferred), .JPG (.JPEG), .EPS and .TIF (.TIFF) files. All fonts must be outlined, images embedded and layers flattened.

Colors: CMYK Colorspace (Cyan, Magenta, Yellow, Black). Color type is process. Colors may differ in RGB mode.

Resolution: Must be at least 150 dpi for image files.

Bleed: Artwork must have a 1/8" (0.125") bleed extending past the trim line.

Safe zone: Do not put critical information or images outside the safe zone (1/2" inside the trim line).

36" BACK GRAPHIC EXAMPLE - Green line shows safe zone



36" FRONT GRAPHIC EXAMPLE - Green line shows safe zone



PopStops Marketing, Inc.

8374 Market Street
Suite 488
Bradenton, FL 34202
800-209-4571
info@popstops.com

MADE IN AMERICA